

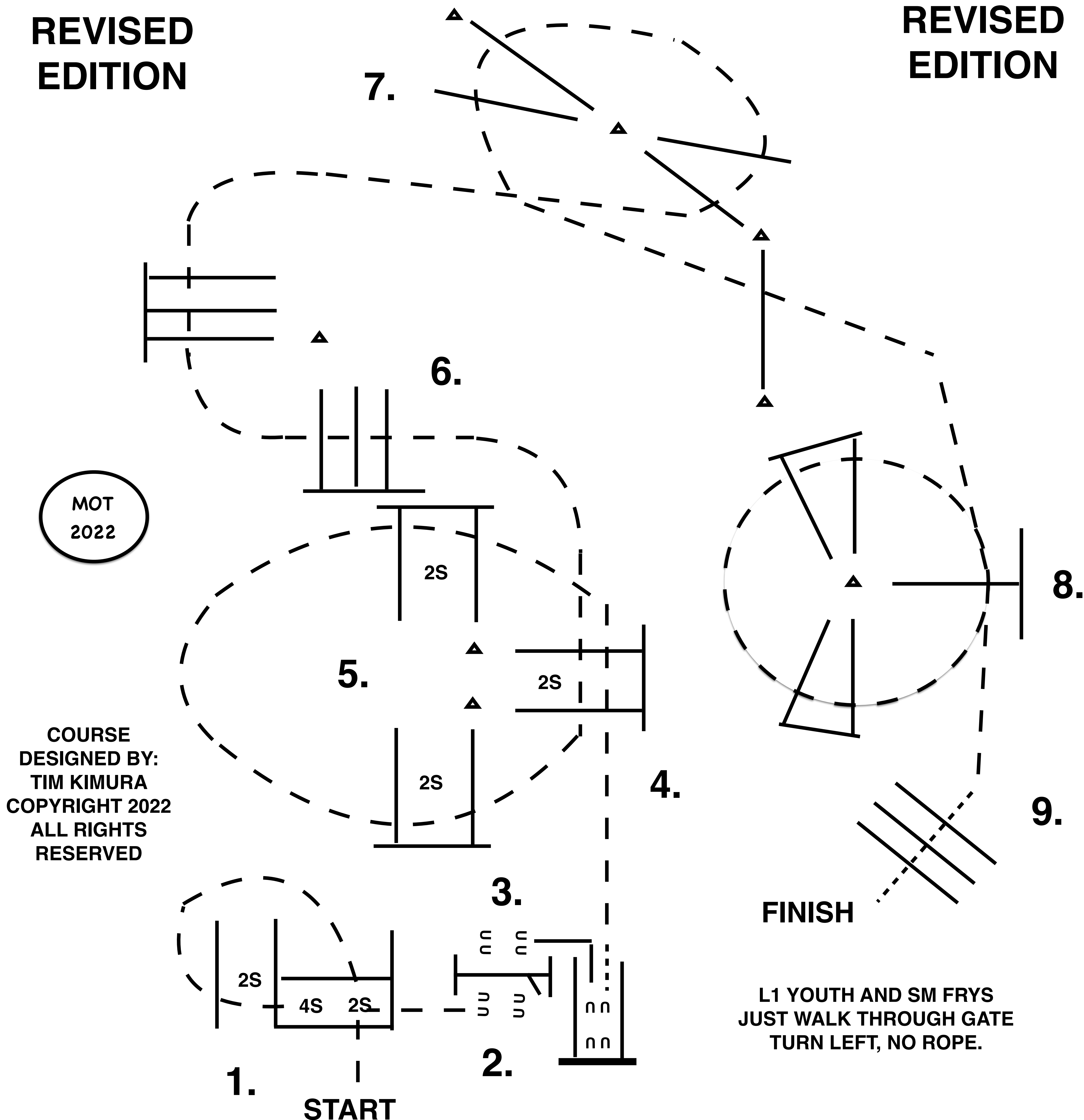
# 2022 RED BUD SPECTACULAR

TUESDAY, JUNE 7TH

SM FRY 9 & UNDER  
WT YOUTH TRAIL  
WT AMATEUR TRAIL

REVISED  
EDITION

REVISED  
EDITION



1. JOG OVER POLES, JOG UP TO GATE.
2. WORK GATE LEFT HAND.
3. BACK BETWEEN POLES, WALK OUT.
4. JOG OVER POLES.
5. JOG OVER POLES.
6. JOG OVER POLES.

7. JOG OVER POLES, JOG AROUND CONES.
8. JOG OVER POLES.
9. STOP OR BREAK TO THE WALK, WALK OVER POLES.

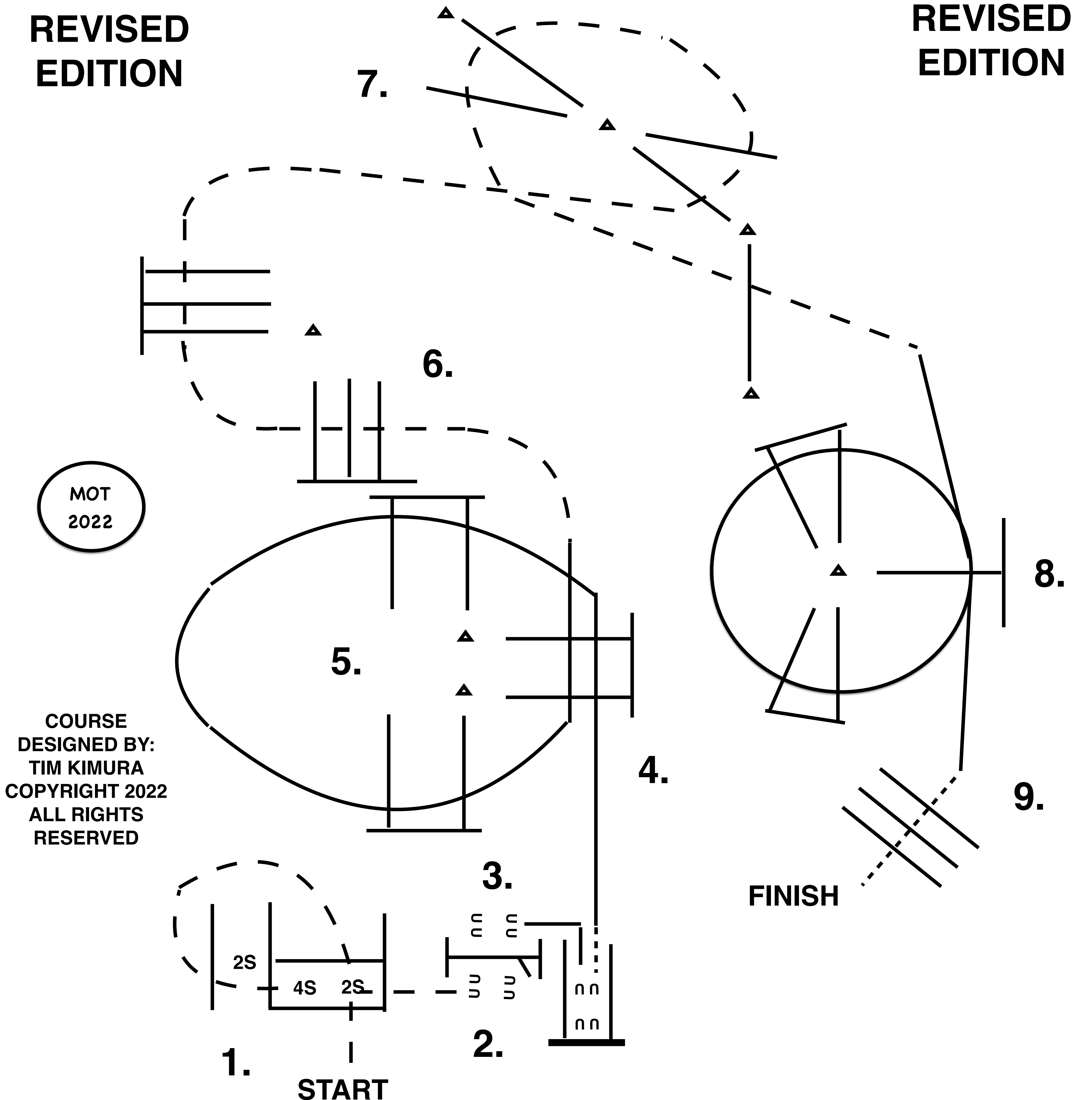
# 2022 RED BUD SPECTACULAR

TUESDAY, JUNE 7TH

L1 SENIOR TRAIL - L1,L2,L3 JUNIOR TRAIL  
L1 AMATEUR TRAIL - L1 YOUTH - 13 & UNDER

REVISED  
EDITION

REVISED  
EDITION



1. JOG OVER POLES, JOG UP TO GATE.
2. WORK GATE LEFT HAND.
3. BACK BETWEEN POLES, WALK OUT.
4. LOPE OVER POLES (LEFT LEAD).
5. LOPE OVER POLES (LEFT LEAD).
6. BREAK TO THE JOG, JOG OVER POLES.

7. JOG OVER POLES, JOG AROUND CONES.
8. LOPE OVER POLES (RIGHT LEAD).
9. STOP OR BREAK TO THE WALK, WALK OVER POLES.

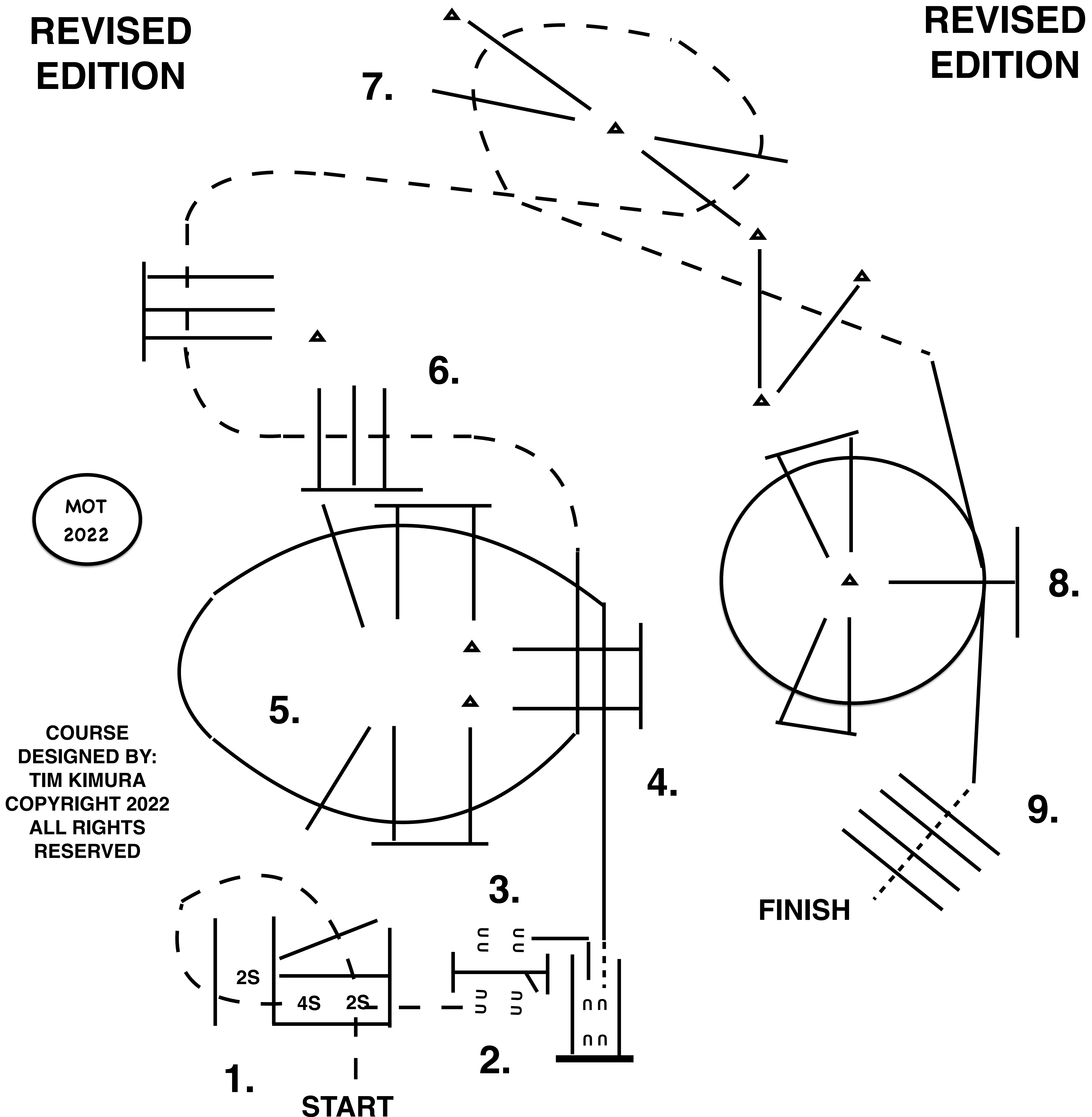
# 2022 RED BUD SPECTACULAR

TUESDAY, JUNE 7TH

YOUTH TRAIL 14-18 - AMATEUR TRAIL  
SELECT TRAIL - SENIOR TRAIL

REVISED  
EDITION

REVISED  
EDITION



1. JOG OVER POLES, JOG UP TO GATE.
2. WORK GATE LEFT HAND.
3. BACK BETWEEN POLES, WALK OUT.
4. LOPE OVER POLES (LEFT LEAD).
5. LOPE OVER POLES (LEFT LEAD).
6. BREAK TO THE JOG, JOG OVER POLES.

7. JOG OVER POLES, JOG AROUND CONES.
8. LOPE OVER POLES (RIGHT LEAD).
9. STOP OR BREAK TO THE WALK, WALK OVER POLES.