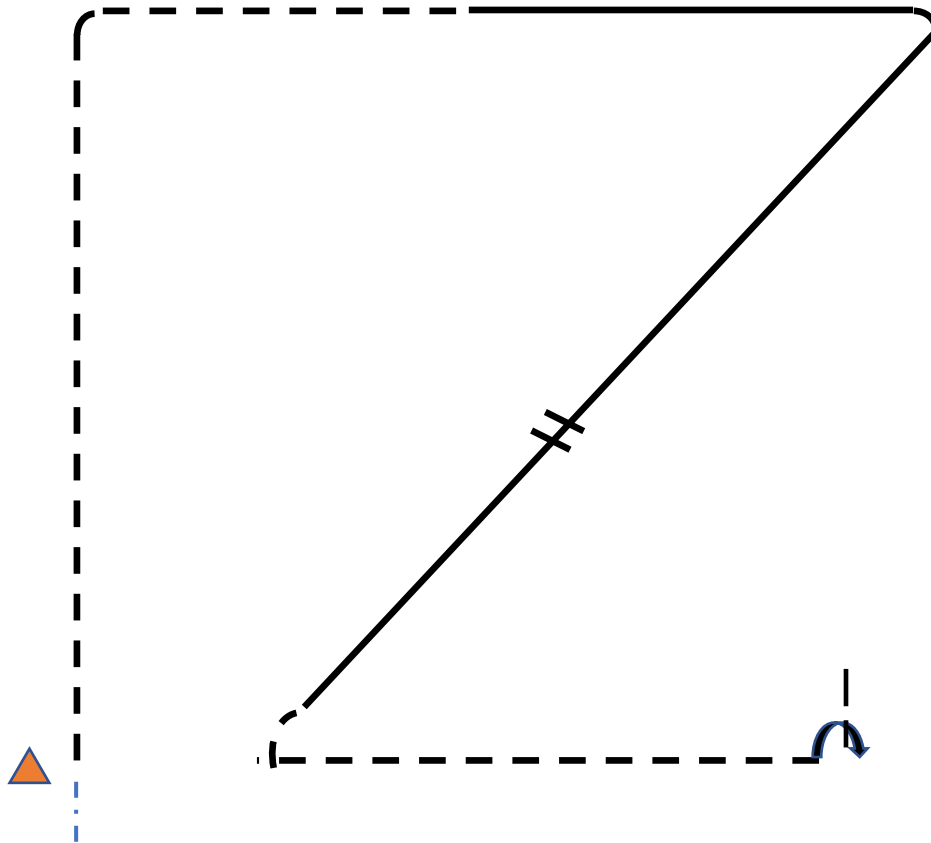
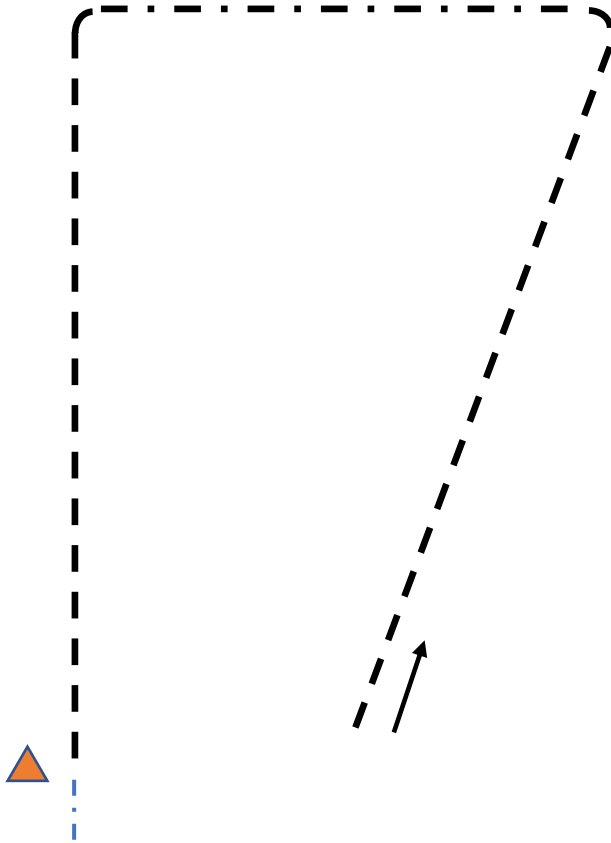


Amateur, Amateur Select, Youth Hunt Seat Equitation  
Friday, April 7<sup>th</sup>



1. Walk to Marker 1
  2. Trot right diagonal,  $\frac{1}{2}$  way change diagonals, continue around corner
  3. Pick up right lead and round the corner, **lengthen the canter**
  4. Change leads (simple or flying), collect the canter.
  5. Prior to rounding the corner, break to a sitting trot and halt
  6. Turn  $\frac{1}{4}$  turn to the right on the forehand and back 1 horse length.
- Exit at direction of gate personnel, at a trot

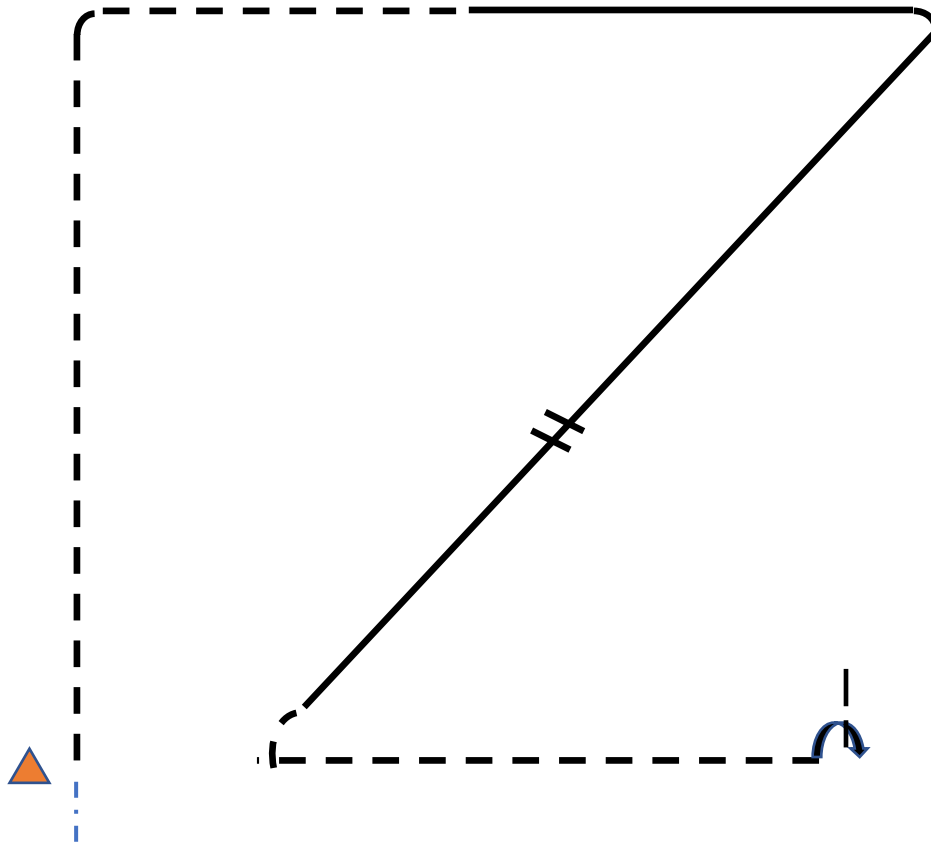
W/T and Small Fry Hunt Seat Equitation  
Friday, April 7<sup>th</sup>



1. Walk to Marker
2. Trot right diagonal to corner
3. Sitting trot to next corner
4. Left diagonal till across from marker
5. Halt and back

Exit to end of ring at direction of gate personnel, at a trot

L1 Amateur & L1 Youth Hunt Seat Equitation  
Friday, April 7<sup>th</sup>



1. Walk to Marker 1
2. Trot right diagonal
3. Change diagonals and continue around the corner
4. Pick up right lead and round the corner
5. Continue across the diagonal line and change leads (simple or flying).
6. Prior to rounding the corner, break to a sitting trot and halt
7. Turn  $\frac{1}{4}$  turn to the right on the forehand and back 1 horse length.

Exit at direction of gate personnel, at a trot