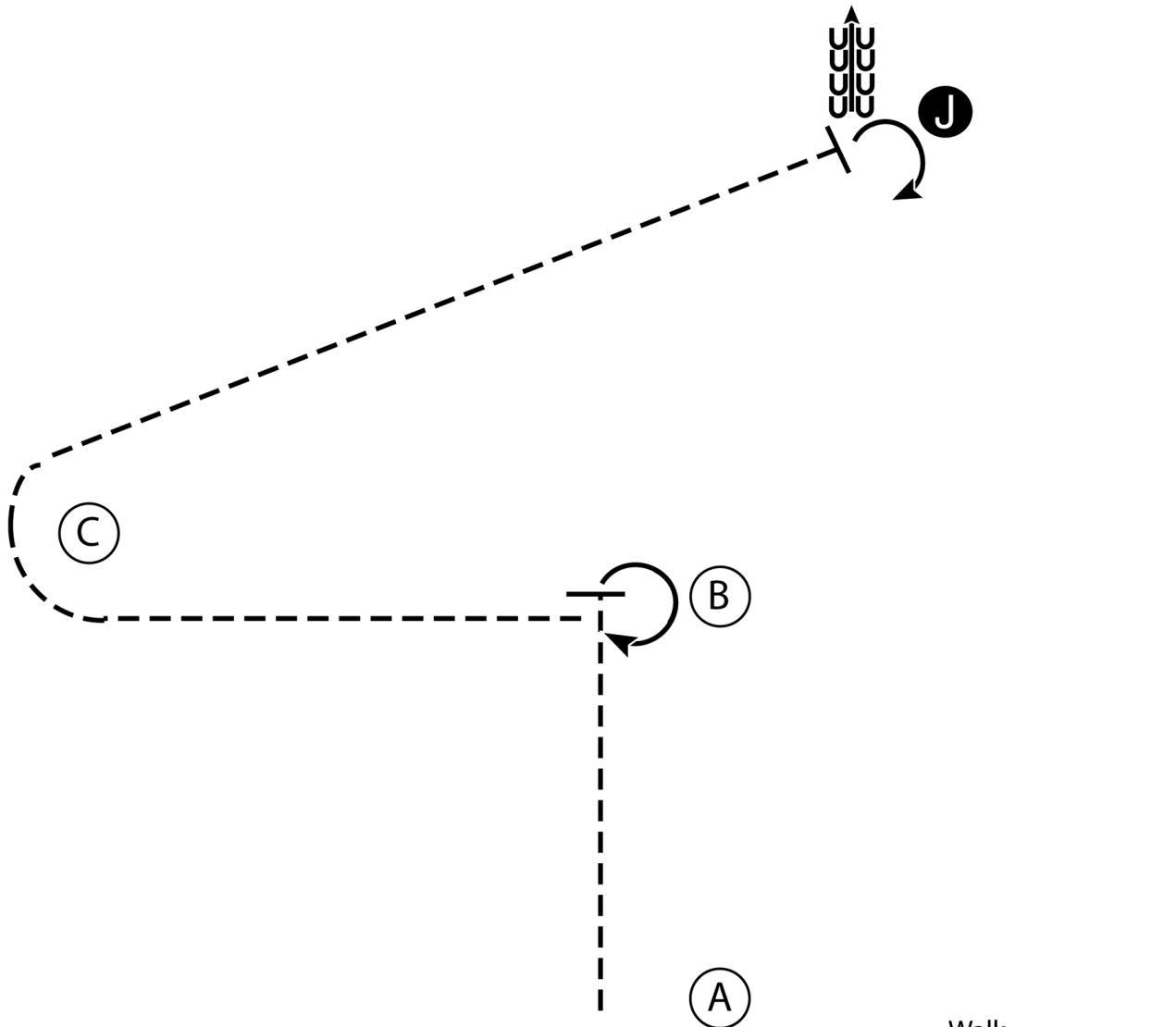


OQHA SPRING SHOW

Showmanship (All L1)

Saturday, April 6, 2024



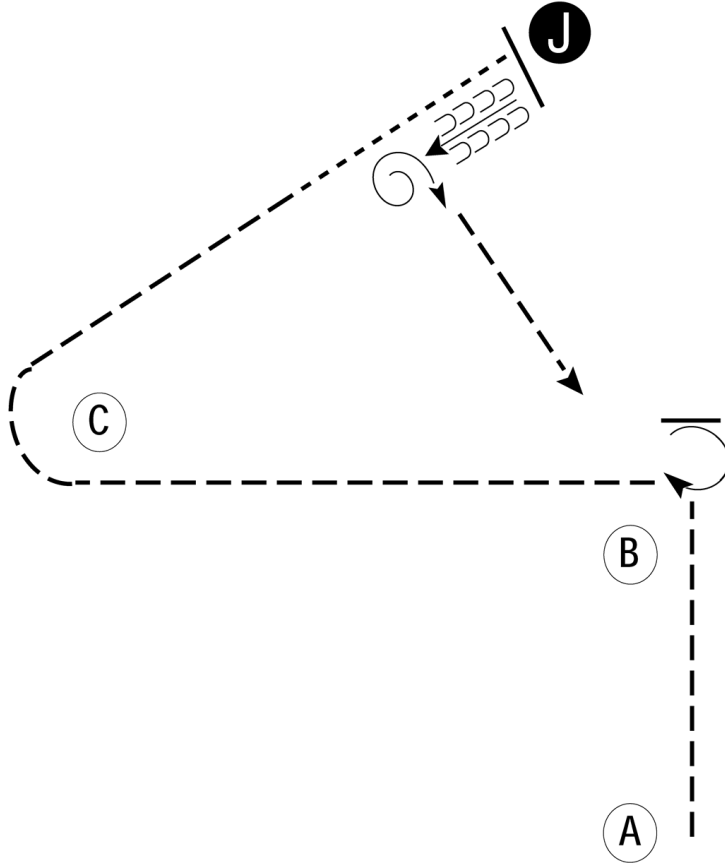
1. Trot from A to B.
2. Stop and perform a 270 degree turn.
3. Trot from B, around C, to the Judge.
4. Stop and set up for inspection.
5. When dismissed perform a 110 degree turn.
6. Back six steps and follow instructions from ring steward.

| | |
|--------|-----------------------|
| Walk | |
| Trot | ----- |
| Back | ← ↔ ↔ ↔ ↔ |
| Marker | Ⓟ |
| Judge | Ⓝ |

OQHA SPRING SHOW

Showmanship (All Youth, Select, and Amateur)

Saturday, April 6, 2024



Be ready at A.

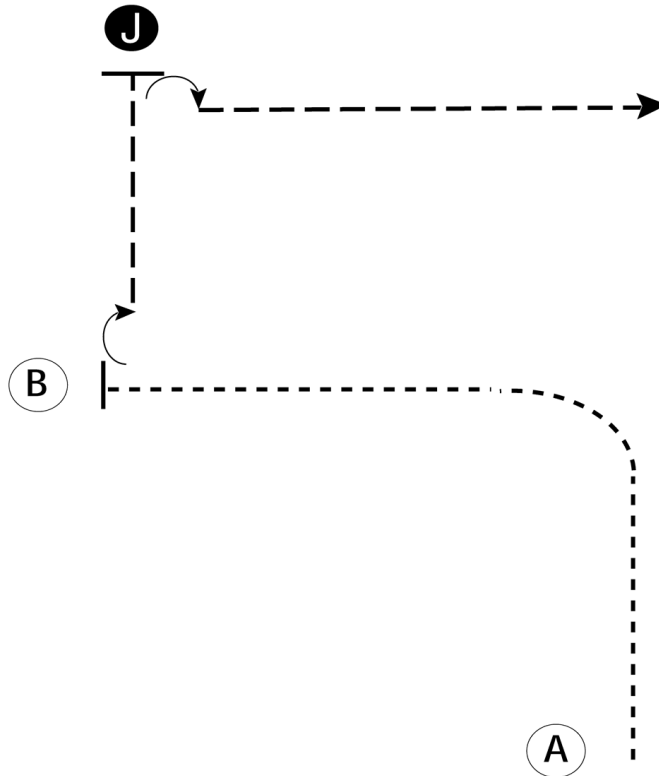
1. Trot from A past B.
2. Stop and perform 270 degree turn.
3. Trot around C. Break to a walk half way to the Judge.
4. Walk to Judge, stop and set up for inspection.
5. When dismissed back one horse length.
6. Perform a 450 degree turn and trot to the line-up or follow the instructions of your ring steward.

| | |
|--------|------------------|
| Walk | ----- |
| Trot | - . - . - . |
| Back | ← ⊃ ⊃ ⊃ ⊃ ⊃ ⊃ |
| Marker | ⊙ B |
| Judge | ● J |

OQHA SPRING SHOW


Showmanship (Small Fry)

Saturday, April 6, 2024



Be ready at A.

1. Walk from A to B.
2. Stop at B and perform a 90 degree turn.
3. Trot to the judge.
4. Stop and set up for inspection.
5. When dismissed, perform a 90 degree turn.
6. Trot away from judge.
7. Follow the instructions of your ring steward.

| | |
|--------|---|
| Walk | ----- |
| Trot | - - - - - |
| Back | ←  |
| Marker | ⓑ |
| Judge | ● |